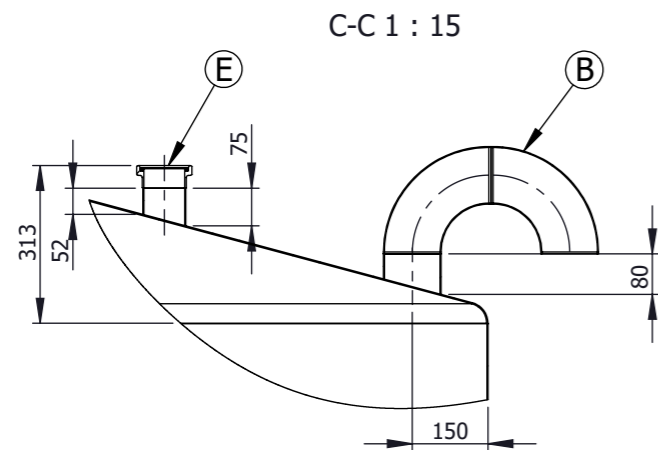
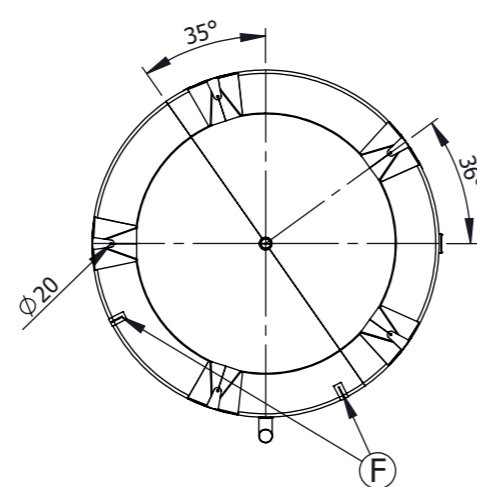
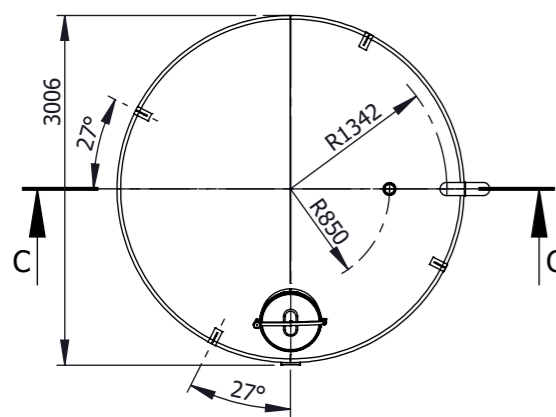
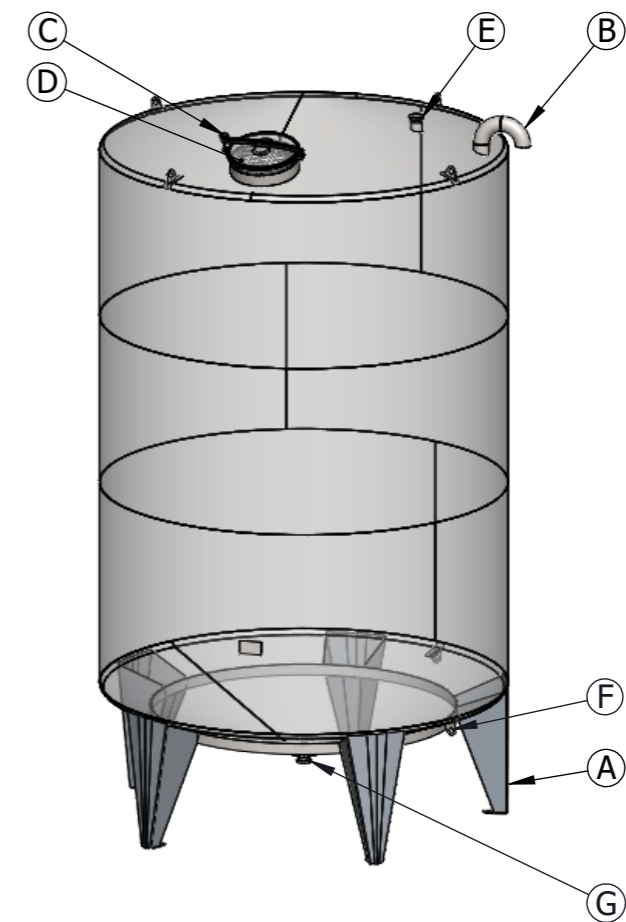
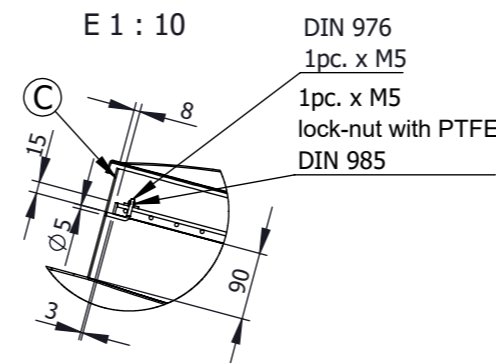
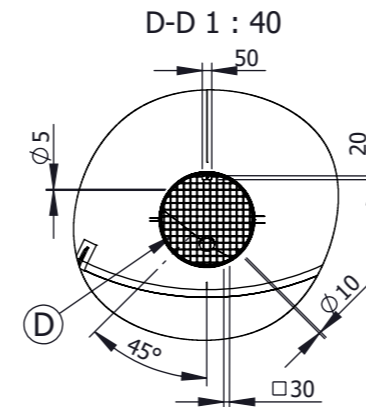
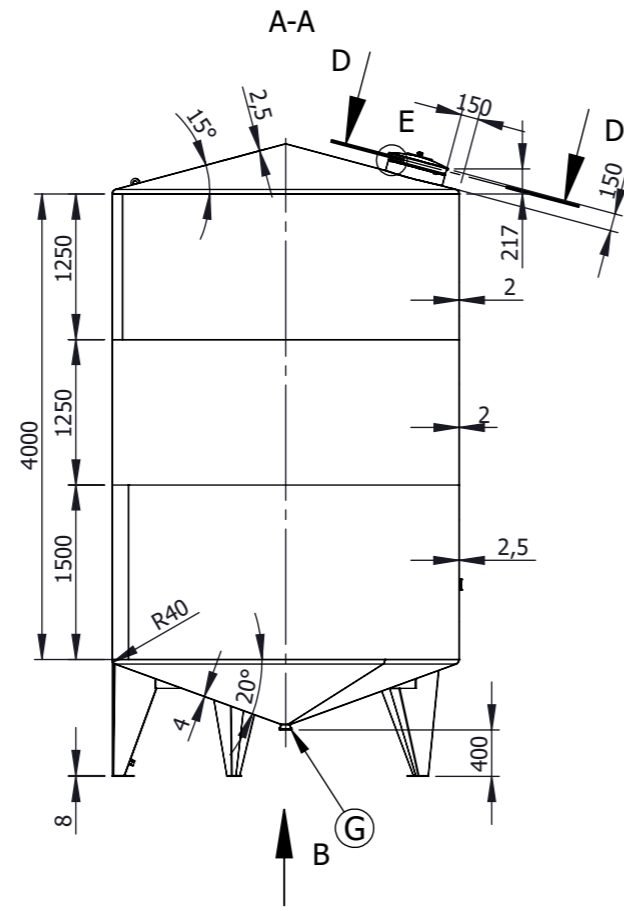
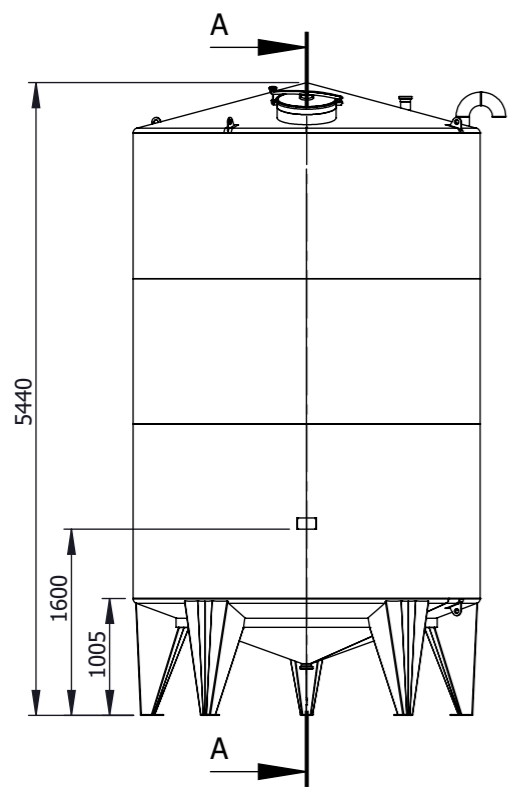




Behälter KG Bremen GmbH & Co.
Theodor-Barth-Str. 25
28307 Bremen - Germany
Tel. +49 (0) 421 34 85 114
E-Mail: mail@behaeltes-kg.de

Revisions

Rev	Description	Zone	Date	Drawn	Checked



Serial number		Stock nr.	
119 901 50	EW11.640V4LN		
Geometrical volume		Geometrical volume - jacket	
30400 l	-		
Working pressure		Working pressure - jacket	
Atmospheric	-		
Working temperature		Working temperature - jacket	
-10/80°C	-		
Maximum density		Jacket pressure drop	
1,2 kg/dm³	-		
Tare mass		Material	
1193 kg	1.4307 / AISI 304L		
Equipment output/voltage		Year of manufacture	
-	-		

Item	Description	PN bar	DN mm.	Qty.
A	LEG ON BASE PLATE	-	-	5
B	AIR VENT DN100 ON TANK WITH 2 x BENDS 114.3x2	atm.	100	1
C	UPPER MANHOLE DN500 Elica art.50/1p-6 EPDM-FDA GASKET	atm.	500	1
D	SAFETY GRID FOR UPPER MANHOLE DN500	-	-	1
E	INLET DN80 ON TANK TOP UP TO WELDING MALE DN80 DIN 11851	atm.	80	1
F	LIFTING LUG ON TANK BOTTOM	-	-	2
G	TOTAL OUTLET DN80 ON TANK BOTTOM UP TO WELDING MALE DN80 DIN 11851	atm.	80	1

Straightness, flatness and parallelism - EN 13920 F								Linear dimensions - EN 13920 B							
≥30 ≤120	>120 ≤400	>400 ≤1000	>1000 ≤2000	>2000 ≤4000	>4000 ≤8000	>8000 ≤12000	>12000 ≤16000	≥2 ≤30	>30 ≤400	>400 ≤1000	>1000 ≤2000	>2000 ≤4000	>4000 ≤8000	>8000 ≤12000	>12000 ≤16000
1	1.5	3	4.5	6	8	10	12	±1	±2	±3	±4	±6	±8	±10	±12

Surface	Outside	Matt 2B	Weld. seams	Outside	Strip grinded 2x20 Ra<1,6					
	Inside	Matt 2B		Inside	Flat grinded to Ra<0,8					
1.6	✓	✓	✓	✓	✓					
Drawn:	K.N.		Scale	1:65	Weight	1193	Material	1.4307 AISI 304L	Serial number	119 901 50 EW11.640V4LN
Checked:	K.I.		TYPE K5-SL-30400L							
Approved:	D.M.									
Rev		6.6.2019 r.	Lang Eng	Sheet	1/1					